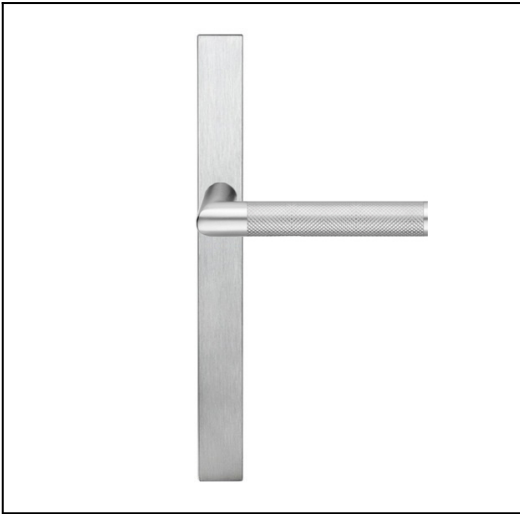


## Kamen Flinders on Euro narrow stile plates 60 series



**Product Code:** KFL-PS60-E-SC

**Description:**

With masculine yet sophisticated proportions, the Kamen Flinders demonstrates that versatile elegance doesn't always need to be soft. Fusing an industrial aesthetic with the perception of delicate craftsmanship, the Kamen cabinet handle was inspired by the increasing popularity of high-end residential warehouse conversions. This contemporary backplate works with Euro and Australian locks.

**Compliance:**  

**Size Selected:**

Plain external

**Dimensions:**

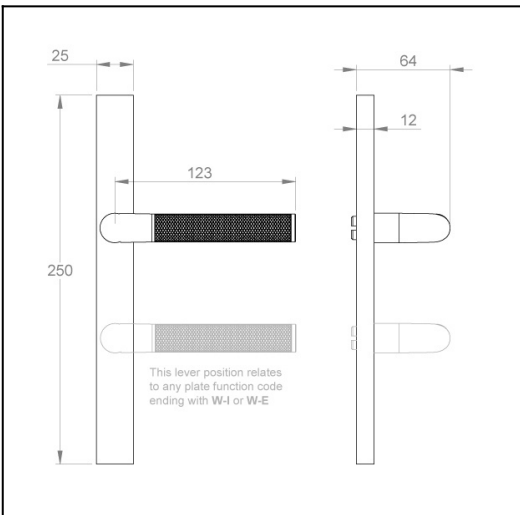
Overall h250 x w125 x d63 mm (see line drawing download)

**Finish:**

Satin Chrome



<http://www.designerdoorware.com.au/catalogue/59214>



**Line Drawings**

As a generic representation of the product, Line Drawings are designed for general use only and may not reflect specifics for all product options such as individual functions or sizes etc.

**Contact Us**

For any further clarification of this product information or for help and advice, please call us on +613 9300 8888.

Designer Doorware reserves the right to make changes in design, specification, or additions and improvements to our products without notice. Under no circumstances is Designer Doorware obliged to manufacture current products as previously supplied. Designer Doorware is not responsible for additions, alterations or assembly made to our products by others. By downloading this information, you accept and are bound by the Terms & Conditions of this website.

For full Terms & Conditions and Product Warranty information refer to [www.designerdoorware.com.au](http://www.designerdoorware.com.au).

© Designer Doorware - 7 Kimpton Way, Altona VIC 3018 Australia.